

PE RESTRAINED FITTINGS

FLANGE ADAPTER QUICK MECHANICAL ANCHORED FOR PE

Flange adapter PN10/16 for PE from OD63 to OD315. Mechanical anchoring is made with a ring and tightening of bolts. The flange adapter for PE can be installed in the PE networks with a PFA of 16 bar. Hydraulic sealing tests and mechanical resistance tests are according to EN 12842.

Field of use

Flange adapter for PE pipes:

Polyethylene: PE80 PN16 and PN12,5

Polyethylene: PE100 PN16 and PN10

Features

Easy installation

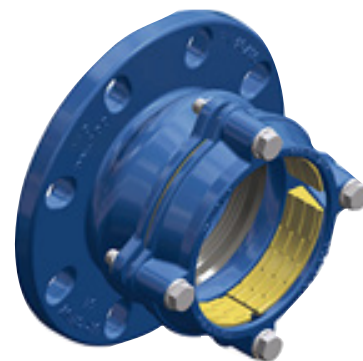
Pre-assembly in the network is possible thanks to the flange and counter flange.

Final block stop to ensure the position of the pipe

Separation of the sealing function (gasket in elastomer) and the anchoring function (metallic ring)

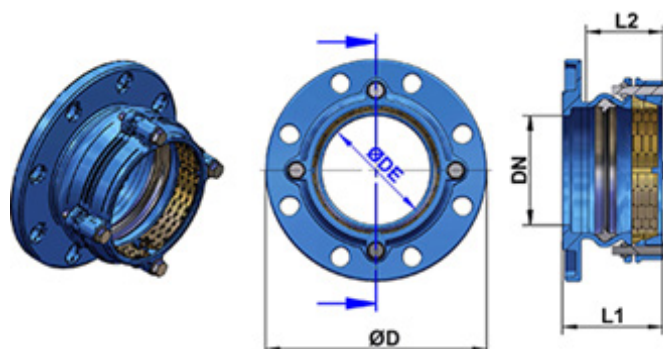
Mechanical locking by screws to avoid any axial displacement of the plastic tube

Drill pattern to AS4087 PN16



Dimensions

DN mm	PFA bar	DN/OD mm	Ø D mm	L1 mm	L2 mm	Mass kg
80	16	90	200	114	85	4.78
100	16	110	224	119	85	5.68
100	16	125	254	119	95	7.00
125	16	125	254	119	95	7.00
125	16	140	254	124	100	7.50
150	16	160	285	139	115	9.00
150	16	180	285	139	115	10.10
200	16	200	340	162	140	15.92
200	16	225	340	172	150	17.50
250	16	250	405	184	150	21.40
250	16	280	405	177	150	21.70
300	10	315	472	207	185	27.50



PE RESTRAINED FITTINGS

MECHANICAL ANCHORED COUPLING FOR PE

Coupler for PE from OD63 to OD315. Mechanical anchoring is achieved through the use of a ring and tightened bolts. The coupler for PE can be installed in a PE network with a PFA of 16 bar. Hydraulic sealing tests and mechanical resistance tests are according to EN 12842.

Field of use

Coupling for PE pipes:

Polyethylene: PE80 PN16 and PN12.5

Polyethylene: PE100 PN16 and PN10

Features

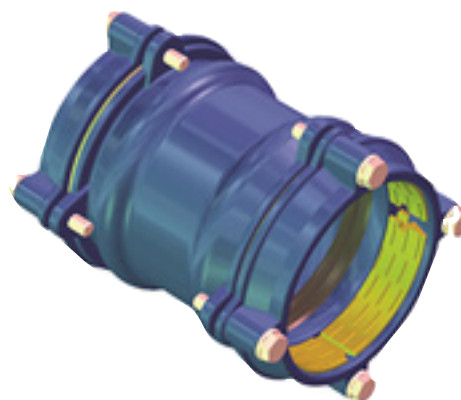
Easy installation

Pre-assembly in the network is possible due to the flange and counter flange.

Final block stop to ensure the position of the pipe

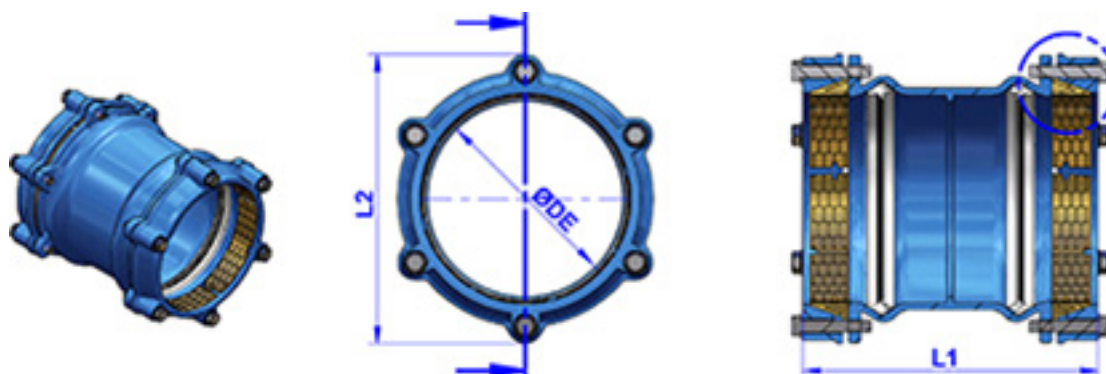
Separation of the sealing function (elastomer gasket) and the anchoring function (metallic ring)

Mechanical locking by bolts to avoid any axial displacement of the PE pipe.



DIMENSIONS

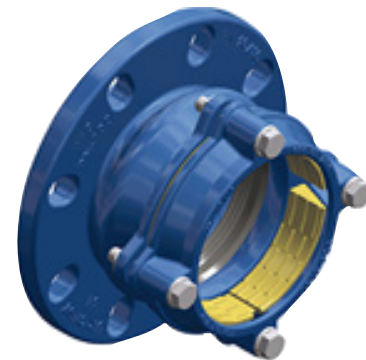
OD	PFA	L1	L2	MASS
MM	BAR	MM	MM	KG
63	16	191	133	3.54
75	16	191	146	4.64
90	16	201	161	5.86
110	16	205	181	6.70
125	16	211	196	7.92
140	16	211	212	8.88
160	16	232	235	10.72
180	16	232	255	12.70
200	16	290	284	19.94
250	16	320	335	25.54
315	10	360	400	33.00



PE RESTRAINED FITTINGS

FLANGE ADAPTER QUICK MECHANICAL ANCHORED FOR PE

CODE	DESCRIPTION
MAL90UFCH	Restrained Flanged Adaptors for PE DN80/90
MAM11UFCH	Restrained Flanged Adaptors for PE DN100/110
MAM12UFCH	Restrained Flanged Adaptors for PE DN100/125
MAN16UFCH	Restrained Flanged Adaptors for PE DN150/160
MAN18UFCH	Restrained Flanged Adaptors for PE DN150/180
MAM20UFCH	Restrained Flanged Adaptors for PE DN200
MAM22UFCH	Restrained Flanged Adaptors for PE DN200/225
MAM28UFCH	Restrained Flanged Adaptors for PE DN250/280
MAM31UFCH	Restrained Flanged Adaptors for PE DN300/315



MECHANICAL ANCHORED COUPLING FOR PE

CODE	DESCRIPTION
MCL90UBAH	Restrained Couplers for PE DN90
MCM11UBAH	Restrained Couplers for PE DN110
MCM12UBAH	Restrained Couplers for PE DN125
MCM16UBAH	Restrained Couplers for PE DN160
MCM18UBAH	Restrained Couplers for PE DN180
MCM20UBAH	Restrained Couplers for PE DN200
MCM25UBAH	Restrained Couplers for PE DN250

