

Lead Free Brass Tapping Bands



Description

Designed for durability, safety, and performance, our lead-free brass tapping bands provide a reliable solution for service connections across a wide range of pipeline applications. Manufactured from high-quality, corrosion-resistant materials, these tapping bands are built to meet stringent industry requirements while ensuring long-term operational integrity.

Benefits

Made with Lead Free Brass

Compliant with AS-NZS 4793:2020 for mechanical performance

Factory fitted Orings for secure leak-free connection

Supplied with SS316 stainless steel nuts and bolt

Fully compliant with AS-NZS 4020:2018 drinking water standards

Rated to PN16 pressure class



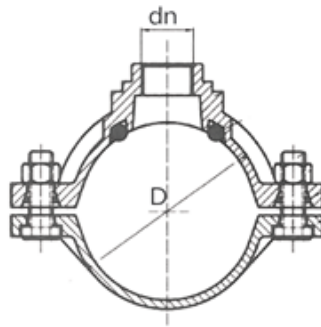
For more information on this product scan the QR code or visit hydroflowcivil.co.nz



Product Description

Fully compliant with AS/NZS 4793:2020 for mechanical performance and AS/NZS 4020:2018 for drinking water safety, they are ideal for potable water systems where material purity and compliance are critical. Rated to PN16 pressure class, they deliver dependable performance under demanding conditions.

Each band is supplied complete with SS316 stainless steel nuts and bolts, featuring an anti-seizing treatment to ensure ease of installation and long-term serviceability, even in harsh environments. A factory-fitted O-ring seal provides a secure, leak-free connection, reducing installation time and enhancing reliability in the field. Combining robust construction with compliance-driven design, our lead-free brass tapping bands are the smart choice for contractors and asset owners seeking safe, efficient, and long-lasting pipeline connections.



Code	Product	Code	Product
AC/DI / S2 PVC		MDPE	
TBA10020LF	Tapping Band Gunmetal AC/S2 100 x 20 (122 OD)LF	TBM6320LF	Tapping Band Gunmetal MDPE 63 x 20 (63 OD)LF
TBA10025LF	Tapping Band Gunmetal AC/S2 100 x 25 (122 OD)LF	TBM6325LF	Tapping Band Gunmetal MDPE 63 x 25 (63OD)LF
TBA10050LF	Tapping Band Gunmetal AC/S2 100 x 50 (122 OD)LF	TBM18050LF	Tapping Band Gunmetal mDPE 180 x 50LF
TBA15020LF	Tapping Band Gunmetal AC/S2 150 x 20 (177 OD) LF	Ferrules and Spare Parts	
TBA15025LF	Tapping Band Gunmetal AC/S2 150 x 25 (177 OD)LF	STF20LF	Lead Free Self Tapping Ferrule 20 x 20
TBA15050LF	Tapping Band Gunmetal AC/S2 150 x 50 (177 OD)LF	STFKEY20	Ferrule Key 20mm
TBA20020LF	Tapping Band Gunmetal AC/S2 200 x 20 (232 OD)LF	TBM1250	M12*50 Bolts & M12 Nuts for Tapping Band Diameter 80 - 200mm
TBA20050LF	Tapping Band Gunmetal AC/S2 200 x 50 (232 OD)LF	TBRING20	Tapping Band Rubber Ring 20mm
TBA25025LF	Tapping Band Gunmetal AC/S2 250 x 25 (286 OD)LF	TBRING50	Tapping Band Rubber Ring 50mm
TBA37550LF	Tapping Band Gunmetal AC/S2 375 x 50LF		
PVC S1			
TBP5020LF	Tapping Band Gunmetal S1 PVC 50 x 20 (60 OD)LF		
TBP5025LF	Tapping Band Gunmetal S1 PVC 50 x 25 (60 OD)LF		
TBP6520LF	Tapping Band Gunmetal S1 PVC 65 x 20LF		
TBP6525LF	Tapping Band Gunmetal S1 PVC 65 x 25 (75 OD)LF		
TBP8020LF	Tapping Band Gunmetal S1 PVC 80 x 20 (89 OD)LF		
TBP10020LF	Tapping Band Gunmetal S1 PVC 100 x 20 (115 OD)LF		
TBP10025LF	Tapping Band Gunmetal S1 PVC 100 x 25 (115 OD)LF		
TBP10050LF	Tapping Band Gunmetal S1 PVC 100 x 50 (114 OD)LF		
TBP15020LF	Tapping Band Gunmetal S1 PVC 150 x 20 (160 OD)LF		
TBP15025LF	Tapping Band Gunmetal S1 PVC 150 x 25 (160 OD)LF		
TBP15050LF	Tapping Band Gunmetal S1 PVC 150 x 50 (160 OD)LF		
TBP20020LF	Tapping Band Gunmetal S1 PVC 200 x 20 (225 OD)LF		
TBP20025LF	Tapping Band Gunmetal S1 PVC 200 x 25 (225 OD)LF		
TBP20050LF	Tapping Band Gunmetal S1 PVC 200 x 50 (225 OD)LF		
TBP30020LF	Tapping Band Gunmetal S1 PVC 300 x 20 (315 OD)LF		
TBP30050LF	Tapping Band Gunmetal S1 PVC 300 x 50 (315 OD)LF		

